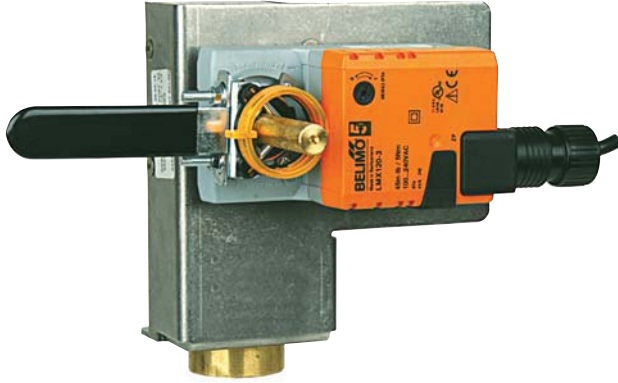


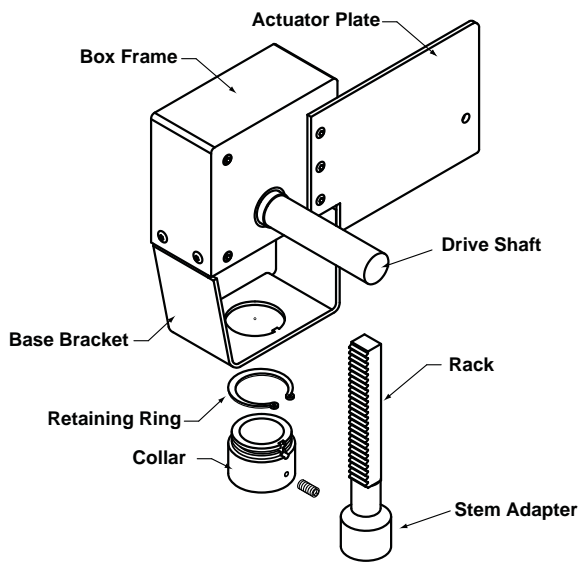
UGLK.../UGSP... Retrofit Linkage for Globe Valves

For LM and LF Series Actuators



Technical Data	UGLK... / UGSP...
Materials:	
Frame, plate, base	stainless steel
Collar	brass
Drive shaft	½" brass
Gears, rack	sintered steel
Bearing	bronze
Stem adaptor	brass
Stroke max (gear teeth)	½" (12 teeth)
Mounting position	360° mountable
Ambient temperature	-22°F to +122°F [-30°C to +50°C]
Storage temperature	-40°F to +176°F [-40°C to +80°C]
Servicing	chilled or hot water max steam inlet 50 psi
Weight	2.8 lbs [1.3 kg]

UGLK / UGSP Parts Breakdown



Application

The UGLK/UGSP retrofit kit is designed to easily attach to the valve bonnet on select competitor valves utilizing Belimo LM and LF series actuators. The kit is used to restore service to the valve without removal of the valve, saving down time.

The unique collar design allows the UGLK to be mounted on various two-way or three-way valves. The rack and pinion construction allow the linkage to be used with normally open and normally closed valves.

Default/Configuration

The actuator is sold separately from the linkage. This allows users to select the actuator with the desired control signal. The linkage utilizes standard air-side actuators that can be purchased at any time and mounted in the field. With the free spring design of the linkage, clearance is not an issue. The linkage can be oriented at any angle on the bonnet.

Operation

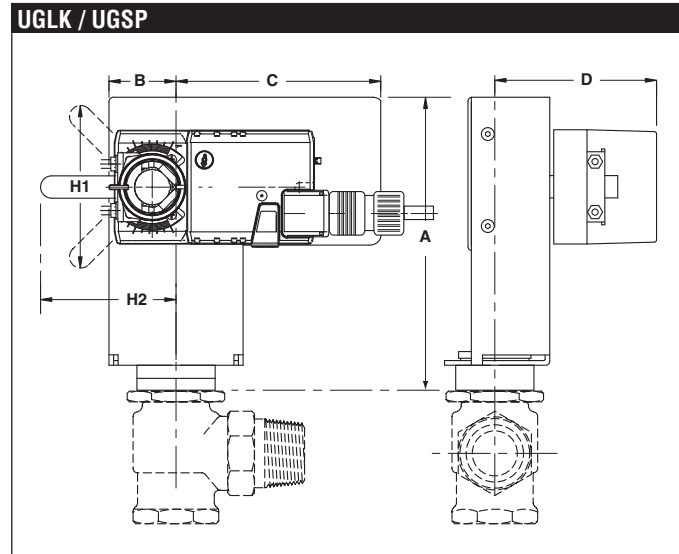
The UGLK/UGSP linkage provides approximately ½" of downward stroke with 95° rotation on the actuator. The linkage travel is based on the size of gear inside. The gear size is stamped on the frame. This allows the valve to extend fully open or closed based on signal. When directional needs vary, the actuator can be flipped or the directional switch turned to a new rotation. The compact design allows for installation in tight spaces.

Suitable Actuators	Close-Off Ranges
LM Series	2-250 psi
LF Series	22-250 psi

Competitor Valves**

Honeywell
JCI
Siemens / Powers
Siebe / Invensys / TAC / Schneider

**Consult pages 93-119 of the Retrofit Technical Documentation and/or SelectPro for close-off pressures and a cross reference of each valve.



Dimensions (Inches [mm])			
A	6.5" [165]	D	4.0" [102]
B	1.5" [33]	H1	4.0" [102]
C	5.0" [127]	H2	3.5" [89]

Tech.Doc - 07/14 - Subject to change. © Belimo Aircontrols (USA), Inc.



Application

The UGLK/UGSP retrofit kit is designed to easily attach to the valve bonnet on select competitor valves utilizing Belimo GK, AF, NF, GM, AM and NM series actuators. The kit is used to restore service to the valve without removal of the valve, saving down time.

The unique collar design allows the UGLK to be mounted on various two-way or three-way valves. The rack and pinion construction allow the linkage to be used with normally open and normally closed valves.

Default/Configuration

The actuator is sold separately from the linkage. This allows users to select the actuator with the desired control signal. The linkage utilizes standard air-side actuators that can be purchased at any time and mounted in the field. Due to the free spring design of the linkage, clearance is not an issue. The linkage can be oriented at any angle on the bonnet.

Operation

The UGLK/UGSP linkage provides approximately 1/2" to 1-1/2" of downward stroke with 95° rotation on the actuator. The linkage travel is based on the size of gear inside. The gear size is stamped on the frame. This allows the valve to extend fully open or closed based on signal. When directional needs vary, the actuator can be flipped or directional switch turned to a new rotation.

Technical Data	UGLK... / UGSP...
Materials:	
Frame, plate, base	stainless steel
Collar	brass
Drive shaft	3/4" brass
Gears, rack	sintered steel
Bearing	bronze
Stem adaptor	brass
Stroke max (gear teeth)	1/2" (12 teeth) 3/4" (17 teeth) 1-1/8" (25 teeth) 1-1/2" (33 teeth)
Mounting position	360° mountable
Ambient temperature	-22°F to +122°F [-30°C to +50°C]
Storage temperature	-40°F to +176°F [-40°C to +80°C]
Servicing	chilled or hot water, and steam
Weight	5.7 lbs [2.6 kg]

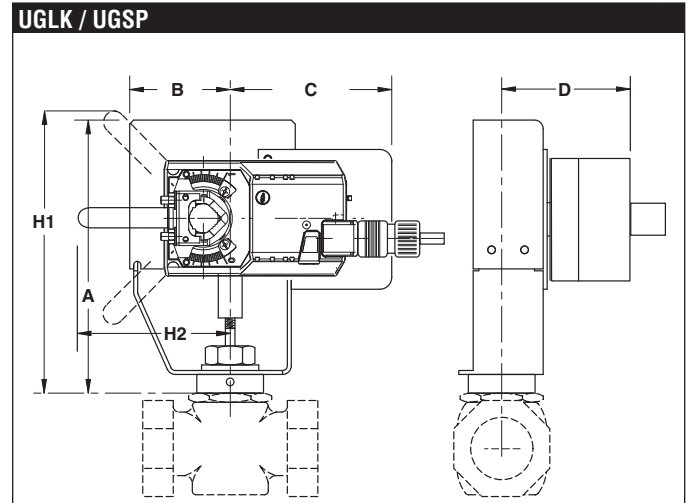
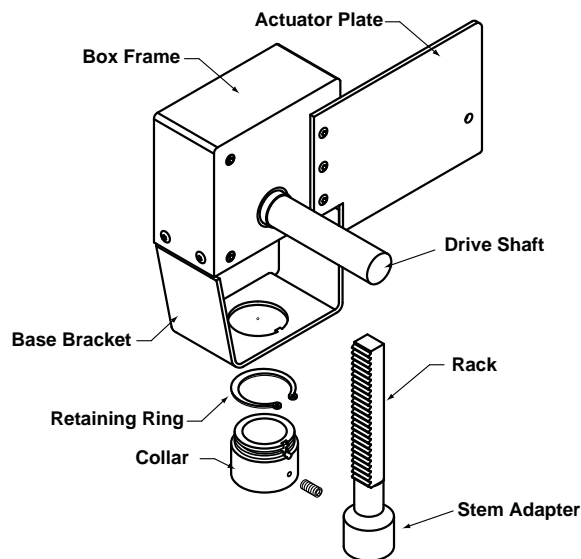
Suitable Actuators	Close-Off Ranges
GK Series	10-250 psi
AF Series	4-250 psi
NF Series	10-250 psi
GM Series	10-250 psi
AM Series	4-250 psi
NM Series	10-250 psi

Competitor Valves**

Honeywell
JCI
Siemens / Powers
Siebe / Invensys / TAC / Schneider
Warren Controls

**Consult pages 93-119 of the Retrofit Technical Documentation and/or SelectPro for close-off pressures and a cross reference of each valve.

UGLK / UGSP Parts Breakdown



Dimensions (Inches [mm])			
A	9"-11" [178-356]	D	4.0" [102]
B	1.5" [33]	H1	4.0" [102]
C	5.0" [127]	H2	3.5" [89]

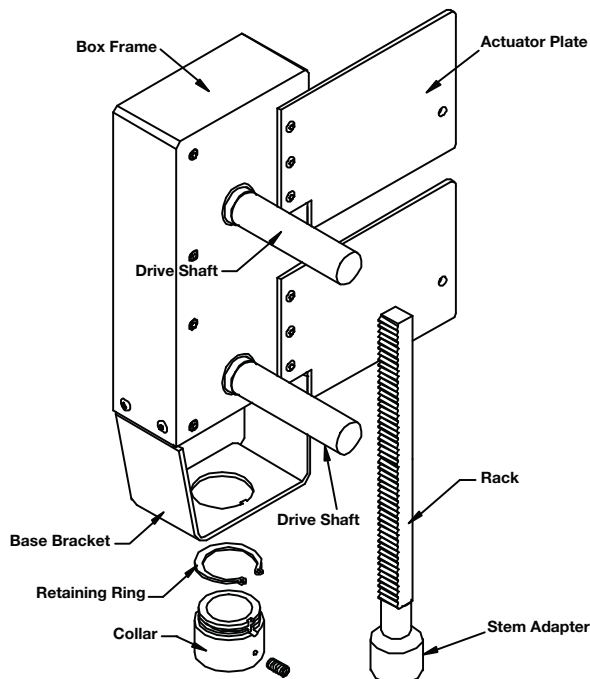
UGLK.../UGSP... Retrofit Linkage for Globe Valves

For Dual Mounted AF, GM, and GK Series Actuators



Technical Data		UGLK... / UGSP...
Materials:		
Frame, plate, base		stainless steel
Collar		brass
Drive shaft		3/4" brass
Gears, rack		sintered steel
Bearing		bronze
Stem adaptor		brass
Stroke max (gear teeth)		1/2" (12 teeth) 3/4" (17 teeth) 1-1/8" (25 teeth) 1-1/2" (33 teeth)
Mounting position		360° mountable
Ambient temperature		-22°F to +122°F [-30°C to +50°C]
Storage temperature		-40°F to +176°F [-40°C to +80°C]
Servicing		chilled or hot water, and steam max steam inlet 50 psi
Weight		10 lbs [4.5 kg]

UGLK / UGSP Parts Breakdown



Application

The UGLK/UGSP retrofit kit is designed to easily attach to the valve bonnet on select competitor valves utilizing tandem Belimo AF, GM, and GK series actuators when higher close-off is required. The kit is used to restore service to the valve without removal of the valve, saving down time.

The unique collar design allows the UGLK to be mounted on various two-way or three-way valves. The rack and pinion construction allow the linkage to be used with normally open and normally closed valves.

Default/Configuration

The actuator is sold separately from the linkage. This allows users to select any actuator with the desired control signal. The linkage utilizes standard air-side actuators that can be purchased at any time and mounted in the field. With the free spring design of the linkage, clearance is not an issue. The linkage can be oriented at any angle on the bonnet.

Operation

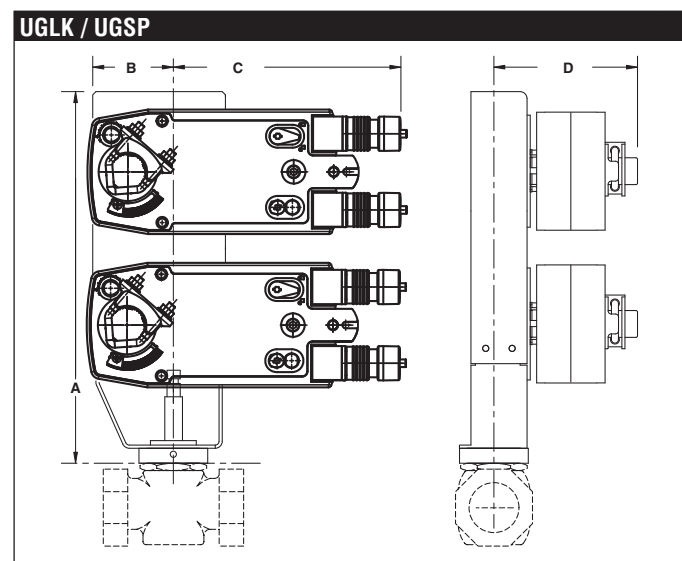
The UGLK/UGSP linkage provides approximately 1/2" to 1-1/2" of downward stroke with 95° rotation on the actuator. The linkage travel is based on the size of gear inside. The gear size is stamped on the frame. This allows the valve to extend fully open or closed based on signal. When directional needs vary, the actuators can be flipped or directional switch turned to a new rotation. Refer to Master Slave wiring for dual mounted actuators.

Suitable Actuators	Close-Off Ranges
2*AF Series	10-250 psi
2*GM Series	25-250 psi
2*GK Series	25-250 psi

Competitor Valves**

Honeywell
JCI
Siemens / Powers
Siebe / Invensys / TAC / Schneider
Warren Controls

**Consult pages 92-134 of the Retrofit Technical Documentation and/or SelectPro for close-off pressures and a cross reference of each valve.



Dimensions (Inches [mm])			
A	13"-17" [483]	C	9" [229]
B	3" [76]	D	5" [127]

Tech.Doc - 07/14 - Subject to change. © Belimo Aircontrols (USA), Inc.



Technical Data	
Service	chilled or hot water and steam
Applicable valve size	½" [13], ¾" [19], 1" [25], 1-¼" [32], 1-½" [38], 2" [50]
Stem	slotted, threaded
Frame, plate, base	aluminum, steel
Collar	aluminum, steel, (fits bonnets up to 1.7" dia.)
Stem adaptor	aluminum
Stroke	0.75" [20mm]
Mounting position	360°
Media temp range (water)	20°F to 250°F [-7°C to +120°C]
Media temp range (steam)	32°F to 388°F [0°C to 170°C]
Weight	1.9 lbs

Application

The UGVL retrofit kit is designed to easily attach LV and SV series actuators to select globe valves. Its unique adjustable design allows the UGVL to be mounted on ½" to 2" two-way or three-way valves in both normally open and normally closed configurations.

Default/Configuration

The default set up for a UGVL linkage will be factory installed along with a LV or SV series actuator. Included in the kit will be all the necessary hardware to facilitate mounting to the valve.

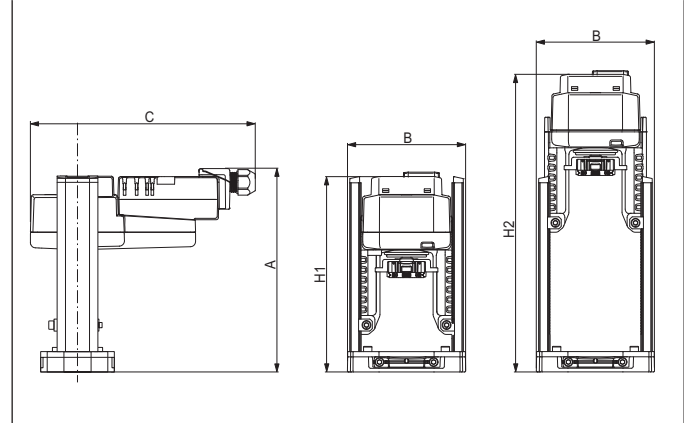
Operation

The UGVL linkage with actuator will provide 20 mm of linear travel to accommodate a wide range of valves.

Suitable Actuators

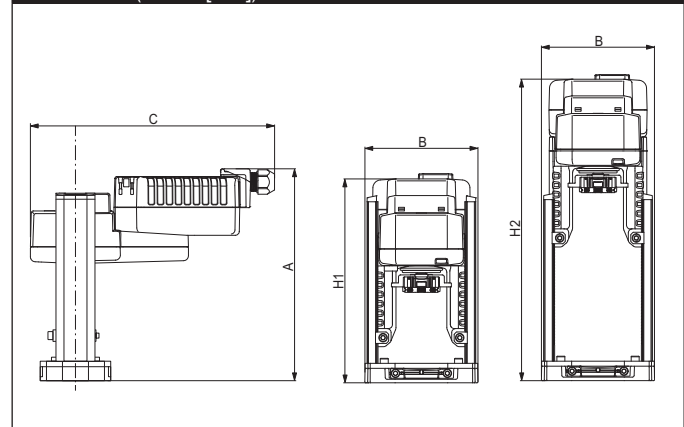
Linkage	Non-Spring Return	Electronic Fail-Safe
UGVL	LV, SV	LVK, SVK

Dimensions (Inches [mm]) with LV and SV Series Actuators



A	B	C	H1	H2
8" [203.2]	4.4" [113]	8.60" [218]	7.5" [190]	11.4" [290]

Dimensions (Inches [mm]) with LVK and SVK Series Actuators



A	B	C	H1	H2
8.5" [217]	4.4" [113]	9.6" [244]	8.4" [207]	12.1" [307]

Application Notes

**Consult pages 93-119 of the Retrofit Technical Documentation and/or SelectPro for close-off pressures and a cross reference of each valve.

SGVL Schneider Globe Valve Linkage

For use with LV and SV Series Actuators



Technical Data

Service	chilled or hot water and steam
Applicable valve size	½" [13], ¾" [19], 1" [25], 1-¼" [32], 1-½" [38], 2" [50]
Frame, plate, base	aluminum
Collar*	aluminum (fits VB7 ½" to 2"/VB9 ½" to 1-¼" valves)
Coupling	aluminum
Stem adaptor	steel
Stroke	0.75" [20 mm]
Mounting position	360°
Media temp range (water)	20°F to 250°F [-7°C to +120°C]
Media temp range (steam)	20°F to 250°F [-7°C to +120°C]
Housing material	aluminum die cast and plastic casing
Weight	0.5 lbs

*Will also fit post 1994 VB9 1-½" to 2" valves.

Application

The SGVL retrofit kit is designed to easily attach LV and SV series actuators to select Schneider® globe valves. The cast base and free spinning collar allow the SGVL to be mounted on ½" to 2" two-way or three-way valves in both normally open and normally closed configurations.

Default/Configuration

The default set up for a SGVL linkage will be factory installed along with a LV or SV series actuator. Included in the kit is all the necessary hardware to facilitate mounting to the Schneider valve.

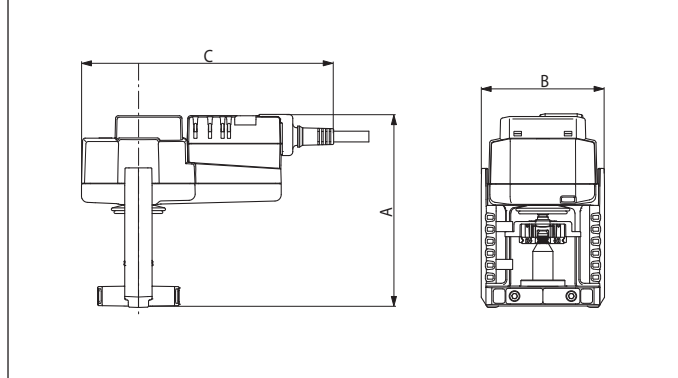
Operation

The SGVL linkage with actuator will provide 20 mm of linear travel to accommodate a wide range of valve sizes.

Suitable Actuators

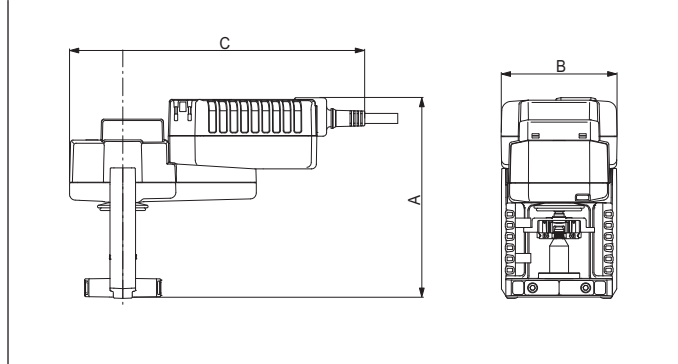
Linkage	Non-Spring Return	Electronic Fail-Safe
SGVL	LV, SV	LVK, SVK

Dimensions (Inches [mm]) with LV and SV Series Actuators



A	B	C
6" [152]	3.9" [98]	7.8" [199]

Dimensions (Inches [mm]) with LVK and SVK Series Actuators



A	B	C
6.7" [169]	3.9" [98]	8.2" [209]

Application Notes

**Consult pages 93-119 of the Retrofit Technical Documentation and/or SelectPro for close-off pressures and a cross reference of each valve.

Tech.Doc - 07/14 - Subject to change. © Belimo Aircontrols (USA), Inc.



Technical Data	
Service	chilled or hot water and steam
Applicable valve size	2½" [64], 3" [80], 4" [101], 5" [127], 6" [152]
Stem	316 stainless steel
Frame, plate, base	aluminum, steel (fits competitor bonnets up to 2.3" dia.)
Collar	aluminum
Coupling	GF nylon, supplied
Housing material	aluminum die cast and plastic casing
Stem adaptor	steel/aluminum
Stroke	1.25" [32 mm] AVK, 2" [50 mm] EV/RV
Mounting position	360°
Media temp range (water)	20°F to 250°F [-7°C to +120°C]
Media temp range (steam)	32°F to 388°F [0°C to 170°C]
Weight	5 lbs

Application

The FGVL retrofit kit is designed to easily attach AVK, EV, and RV series actuators to select flanged globe valves requiring larger stem travels and higher forces. Its casted base and lower locking clamp allow the FGVL to be mounted on 2½" to 6" two-way or three-way valves in both normally open and normally closed configurations.

Default/Configuration

The default set up for a FGVL linkage will be factory installed along with an AVK, EV, or RV series actuator. Included in the kit will be all the necessary hardware to facilitate mounting to the valve.

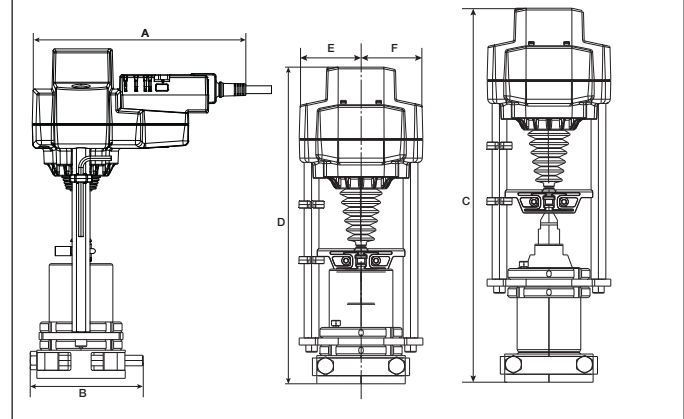
Operation

The FGVL linkage with actuator will provide up to 2" [50 mm] of linear travel to accommodate a wide range of valves.

Suitable Actuators

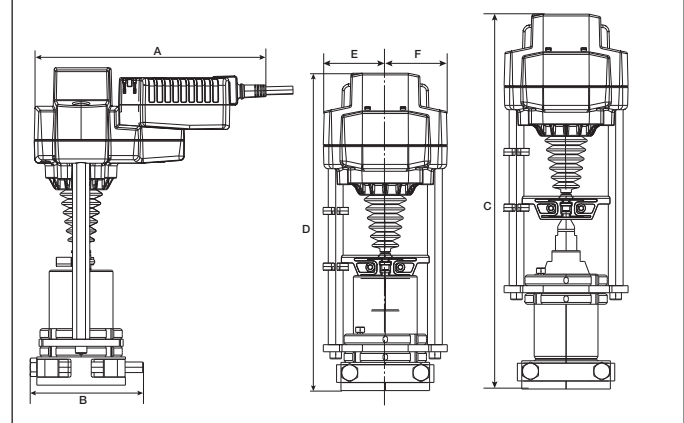
Linkage	Non-Spring Return	Electronic Fail-Safe
FGVL	EVB(X), RVB(X)	AVKB(X)

Dimensions (Inches [mm]) with EV and RV Series Actuators



A	B	C	D	E	F
9.2" [234]	5.00" [127]	16.33" [425]	14.00" [356]	2.78" [71]	

Dimensions (Inches [mm]) with AVK Series Actuators



A	B	C	D	E	F
10.25" [260]	5.00" [127]	16.73" [425]	14.00" [356]	2.78" [71]	

Application Notes

**Consult pages 93-119 of the Retrofit Technical Documentation and/or SelectPro for close-off pressures and a cross reference of each valve.

How to Select a Globe Valve Retrofit Solution

Follow the four steps listed below when ordering a globe valve retrofit kit for either UGLK or GVL series linkages.

Example: Siemens 658 series, 1¼” valve, needing **200 psi** close-off pressure and **Fail-Safe** actuation.

- Based on the **Valve Number, Configuration and Size**, select the proper linkage or linkages for your valve.
Some valves will have more than one linkage offered, use the actuator or combination pages to determine the appropriate linkage for a given application. In this example there is a **UGLK1214**, **UGLK1350** and a **UGVL** series linkage available.
- Use the selection guide and your close-off pressure requirement to select the correct actuator series for your application. Looking at the **UGLK1350** there are no fail-safe actuators that will achieve 200 psi close-off for 1¼” valve. Looking at the **UGLK1214** or **UGVL**, the **AF** or **SVK** Series actuator will provide over **200 psi close-off** for the 1¼” valve.
- Use the actuator listings to make your final actuator selection.

- HOW TO ORDER:

Option One:	
Item 1	1pc UGLK1214
Item 2	1pc AFB24-MFT

Option Two:	
Item 1	1pc UGVL + SVKX24-MFT



1 Select linkage solution based on the **Valve Number, Configuration, and Size**; select the proper **Linkage Solution** for your valve.

Siemens\Landis\Powers 658 Series Valves Linkage/Actuator Selection Guide

Valve Body Model	Valve Configuration	Size	Fail-safe	Close-Off psi	Belimo Actuator Series	Belimo Linkage
658 Series	2-way	1¼”	No	78	LM	UGLK1350
				156	NM	UGLK1350
				236	SV	UGVL
			Yes	250	AM	UGLK1214
				61	LF	UGLK1350
				156	NF	UGLK1214
			236	SVK	UGVL	
			250	AF	UGLK1214	

Example: **Siemens Series #658, 2-Way, 1¼”** valve to be retrofitted.

Choose correct kit **UGLK1214** or **UGVL**.

- Verify close-off is suitable for application. Looking at the **UGLK** or **UGVL**, the **AF** and **SVK** Series actuator will provide **200 psi close-off** for the 1¼” valve.

BASIC PRODUCTS

Model	Control Input	Feedback	Power Supply	Running Time(s)		VA Rating	Auxiliary Switch
				M	⊙		
AFB24	On/Off	-	24 VAC/DC	<75 seconds	20 secs	7.5	-
AFB24-S	On/Off	-	24 VAC/DC	<75 seconds	20 secs	7.5	Built-In
AFBUP	On/Off	-	24-240 VAC	<75 seconds	20 secs	8.5	-
AFBUP-S	On/Off	-	24-240 VAC	<75 seconds	20 secs	8.5	Built-In
AFB24-SR	2-10 VDC (4-20mA)	2-10 VDC	24 VAC/DC	95 seconds	<20 secs	8.5	-
AFB24-SR-S	2-10 VDC (4-20mA)	2-10 VDC	24 VAC/DC	95 seconds	<20 secs	8.5	Built-In
AFB24-PC	0-10 V Phasecut	2-10 VDC	24 VAC/DC	150 seconds	<20 secs	10	-
AFB24-MFT	2-10 VDC (4-20mA)	2-10 VDC	24 VAC/DC	150 seconds	<20 secs	10	-
AFB24-MFT-S	2-10 VDC (4-20mA)	2-10 VDC	24 VAC/DC	150 seconds	<20 secs	10	Built-In
AFB24-MFT95	0 to 135	2-10 VDC	24 VAC/DC	150 seconds	<20 secs	10	-

- Select actuator based on needed control type. Decide between **AFB24**, **AFB24-MFT**

or **SVKX24-3**, **SVKX24-MFT**.

- Complete Ordering Example
Option One:
Item 1: **UGLK1214**
Item 2: **AFB24-MFT**

- Complete Ordering Example
Option Two:
Item 1: **UGVL + SVKX24-MFT**

ACTUATOR PART #	LVKX24-3	LVKB24-SR	LVKX24-MFT	SVKX24-3	SVKB24-SR	SVKX24-MFT
Control type	On/Off, Floating Point	Proportional	Proportional/MFT	On/Off, Floating Point	Proportional	Proportional/MFT
Input signal / Feedback	-	2-10 VDC	Variable	-	2-10 VDC	Variable
Running time	Motor 150 seconds	150 seconds	Variable	150 seconds	150 seconds	Variable
Actuator travel	Fail-Safe 35 seconds	35 seconds	35 seconds	35 seconds	35 seconds	35 seconds
Actuator noise level	24mm	24mm	24mm	24mm	24mm	24mm
	<45 dB(A)	<45 dB(A)	<45 dB(A)	<45 dB(A)	<45 dB(A)	<45 dB(A)
GVL LINKAGES						
UGVL	Universal Adjustable for 1/2” to 2”	\$	\$	\$	\$	\$
SGVL	Schnieder VB7... VB9...	\$	\$	\$	\$	\$

Tech.Doc - 07/14 - Subject to change. © Belimo Aircontrols (USA), Inc.

ROTARY ACTUATORS

SERIES	MODEL	Spring Return	Electronic Fail-Safe	Tandem Mounting Available	Control Input	Feedback Position	Power Supply	Standard Running Time
LF Series*	LF24 US	•			On/Off	-	24 VAC/DC	Consult Specifications
	LF24-MFT US	•			Variable with MFT	Variable VDC	24 VAC/DC	
NF Series*	NFBUP-X1	•			On/Off	-	24-240 VAC	
	NFX24-MFT	•			(24 VAC/DC) Variable with MFT	Variable VDC	24 VAC/DC	
AF Series*	AFBUP-X1	•		•	On/Off	-	24-240 VAC	
	AFX24-MFT-X1	•		•	Variable with MFT	Variable VDC	24 VAC/DC	
LM Series*	LMB24-3-X1				Floating Point, On/Off	-	24 VAC/DC	
	LMX24-MFT-X1				Variable with MFT	Variable VDC	24 VAC/DC	
NM Series*	NMB24-3-X1				Floating Point, On/Off	-	24 VAC/DC	
	NMX24-MFT-X1				Variable with MFT	Variable VDC	24 VAC/DC	
AM Series*	AMB24-3-X1				Floating Point, On/Off	-	24 VAC/DC	
	AMX24-MFT-X1				Variable with MFT	Variable VDC	24 VAC/DC	
GM Series*	GMB24-3-X1			•	Floating Point, On/Off	-	24 VAC/DC	
	GMX24-MFT-X1			•	Variable with MFT	Variable VDC	24 VAC/DC	
GK Series*	GKB24-3-X1		•		Floating Point, On/Off	-	24 VAC/DC	
	GKX24-MFT-X1		•	•	Variable with MFT	Variable VDC	24 VAC/DC	

*Please consult the Damper section of the Product Guide and Price List for a full list of product offerings. Standard run times should be considered in the selection. All air side products are applicable for retrofit kits. Select "X1" actuators come with a handle.

LINEAR ACTUATORS**

SERIES	MODEL	Fail-Safe	Control Input	Feedback Position	Power Supply	Standard Running Time*	Force
LV Series	LVB24-3	No	Floating Pt., On/Off	N/A	24 VAC/DC	90 seconds	112 lbf
	L VX120-3	No	Floating Pt., On/Off	N/A	120-240 VAC	90 seconds	112 lbf
	LVBSR-SR	No	2-10 VDC	2-10 VDC	24 VAC/DC	90 seconds	112 lbf
	L VX24-MFT	No	Variable with MFT	Variable VDC	24 VAC/DC	90 seconds	112 lbf
LVK Series	LVKX24-3	Yes	Floating Pt., On/Off	N/A	24 VAC	90 seconds	112 lbf
	LVKX120-3	Yes	Floating Pt., On/Off	N/A	120-240 VAC	90 seconds	112 lbf
	LVKBSR-SR	Yes	2-10 VDC	2-10 VDC	24 VAC/DC	90 seconds	112 lbf
	LVKX24-MFT	Yes	Variable with MFT	Variable VDC	24 VAC/DC	90 seconds	112 lbf
SV Series	SVX24-3	No	Floating Pt., On/Off	N/A	24 VAC/DC	90 seconds	337 lbf
	SVX120-3	No	Floating Pt., On/Off	N/A	120-240 VAC	90 seconds	337 lbf
	SVBSR-SR	No	2-10 VDC	2-10 VDC	24 VAC/DC	90 seconds	337 lbf
	SVX24-MFT	No	Variable with MFT	Variable VDC	24 VAC/DC	90 seconds	337 lbf
SVK Series	SVKX24-3	Yes	Floating Pt., On/Off	N/A	24 VAC	90 seconds	337 lbf
	SVKX120-3	Yes	Floating Pt., On/Off	N/A	120-240 VAC	90 seconds	337 lbf
	SVKBSR-SR	Yes	2-10 VDC	2-10 VDC	24 VAC/DC	90 seconds	337 lbf
	SVKX24-MFT	Yes	Variable with MFT	Variable VDC	24 VAC/DC	90 seconds	337 lbf
AV Series	AVKB24-3	Yes	Floating Pt., On/Off	N/A	24 VAC	90 seconds	450 lbf
	AVKB120-3	Yes	Floating Pt., On/Off	N/A	120-240 VAC	90 seconds	450 lbf
	AVKB24-MFT	Yes	Variable with MFT	Variable VDC	24 VAC/DC	90 seconds	450 lbf
EV Series	EVB24-3	No	Floating Pt., On/Off	N/A	24 VAC/DC	90 seconds	562 lbf
	EVB120-3	No	Floating Pt., On/Off	N/A	120-240 VAC	90 seconds	562 lbf
	EVB24-MFT	No	Variable with MFT	Variable VDC	24 VAC/DC	90 seconds	562 lbf
RV Series	RVB24-3	No	Floating Pt., On/Off	N/A	24 VAC/DC	90 seconds	562 lbf
	RVB24-MFT	No	Variable with MFT	Variable VDC	24 VAC/DC	90 seconds	562 lbf

* Other speeds available on request. ** Sold as an assembly with linkage.

MULTI-FUNCTION TECHNOLOGY

	PROGRAMMING CODE	Control Input	Running Time	Built-in Feedback
ROTARY ACTUATOR	P-10001 A01	2-10 VDC	150 seconds	2-10 VDC
	P-10002 A02	0.5-10 VDC	150 seconds	0.5-10 VDC
	P-10028 A28	0.5-10 VDC	150 seconds	0.5-10 VDC
	P-10063 A63	0.5-4.5 VDC	150 seconds	0.5-4.5 VDC
	P-10064 A64	5.5-10 VDC	150 seconds	5.5-10 VDC
	P-20002 W02	0.02-5.00 seconds PWM	150 seconds	2-10 VDC
	P-20003 W03	0.10-25.5 seconds PWM	150 seconds	2-10 VDC
	P-30001 F01	Floating Point	150 seconds	2-10 VDC
	P-40002 J02	On/Off	150 seconds	2-10 VDC
LINEAR ACTUATOR	G43	2-10 VDC	90 seconds	2-10 VDC
	G53	0.5-10 VDC	90 seconds	0.5-10 VDC
	W3M	0.02-5.00 seconds PWM	90 seconds	2-10 VDC
	G13	Floating Point	90 seconds	2-10 VDC
	G03	On/Off	90 seconds	2-10 VDC

Johnson Controls

V-58, VG-7..., VTM Series Valves
Linkage/Actuator Selection Guide

Robertshaw

V6700, V6800, V6600 Series Valves
Linkage/Actuator Selection Guide

Siebe\Invensys\Barber Colman

VB7000 Series Valves
Linkage/Actuator Selection Guide



Valve Body Model	Size	Fail-Safe	Close-Off psi	Belimo Actuator Series	Belimo Linkage
V-5844-(4, 5, 6, 12)	2"	Yes	40	NF	UGLK1406
		Yes	236	2*GK	UGLK1474
		No		2*GM	UGLK1474
		Yes	86	AF	UGLK1406
		Yes	173	2*AF	UGLK1474
		No		GK	UGLK1406
VG7XXX-(C, E, GT) *Threaded Stem Only	½"	Yes	236	LF	UGLK1416
VG7XXX-LT *Threaded Stem Only	¾"	Yes	169	LF	UGLK1416
VG7XXX-NT *Threaded Stem Only	1"	Yes	93	LF	UGLK1418
VG7XXX-PT *Threaded Stem Only	1¼"	Yes	65	LF	UGLK1418
VG7XXX-RT *Threaded Stem Only	1½"	Yes	26	LF	UGLK1420
		Yes	77	NF	UGLK1422
		Yes	236	GK	UGLK1422
		No		GM	UGLK1422
VG7XXX-ST *Threaded Stem Only	2"	Yes	14	LF	UGLK1420
		Yes	40	NF	UGLK1422
		Yes	153	AF	UGLK1422
		Yes	86	AF	UGLK1422
		Yes	173	GK	UGLK1422
		No		GM	UGLK1422
VTM-TN-(007, 019, 047)*Threaded Stem Only	½"	Yes	236	LF	UGLK1550
		No		LM	UGLK1550
ROBERTSHAW					
V6700	½"	Yes	236	LVK	UGVL
		No		LV	UGVL
	1"	Yes	93	LVK	UGVL
		No		LV	UGVL
		No	236	SV	UGVL
		Yes		SVK	UGVL
	1¼"	No	236	SV	UGVL
		Yes		SVK	UGVL
	1½"	Yes	160	SVK	UGVL
		No	85	SV	UGVL
	2"	Yes		85	SVK
		No		SV	UGVL
V6700, V6800	¾"	Yes	211	LVK	UGVL
		No		LV	UGVL
V6600	½"	Yes	236	LVK	UGVL
		No		LV	UGVL
	¾"	Yes	211	LVK	UGVL
		No		LV	UGVL
		Yes	93	LVK	UGVL
		No		LV	UGVL
	1"	No	236	SV	UGVL
		Yes		SVK	UGVL
		No		SV	UGVL
	1¼"	Yes	236	SVK	UGVL
		No	160	SV	UGVL
	1½"	Yes		160	SVK
No		85	SV	UGVL	
2"	Yes		85	SVK	UGVL
	No		SV	UGVL	
V6700	1½"	No	160	SV	UGVL
SIEBE \ INVENSYS \ BARBER COLMAN					
VB7000 series	½"	Yes	236	LVK	SGVL
		No		LV	SGVL
	¾"	Yes	211	LVK	SGVL
		No		LV	SGVL
		Yes	93	LVK	SGVL
		No		SV	SGVL
	1"	No	236	SV	SGVL
		Yes		SVK	SGVL
		No		SV	SGVL
	1¼"	Yes	236	SVK	SGVL
		No	160	SV	SGVL
	1½"	Yes		160	SVK
No			SV	SGVL	

All close-off pressures listed are approximate and based on valve condition and application.



Valve Body Model	Size	Fail-Safe	Close-Off psi	Belimo Actuator Series	Belimo Linkage
VB7000 series	2"	No	85	SV	SGVL
		Yes		SVK	SGVL
	½"	Yes	236	LVK	SGVL
		No		LV	SGVL
	¾"	Yes	211	LVK	SGVL
		No		LV	SGVL
	1"	Yes	93	LVK	SGVL
		No		SV	SGVL
		No	236	SV	SGVL
		Yes		SVK	SGVL
	1¼"	No	236	SV	SGVL
		Yes		SVK	SGVL
	1½"	No	160	SV	SGVL
		Yes		SVK	SGVL
2"	No	85	SV	SGVL	
	Yes		SVK	SGVL	
VB9000 series	½"	Yes	236	LVK	SGVL
		No		LV	SGVL
	¾"	Yes	211	LVK	SGVL
		No		LV	SGVL
	1"	Yes	93	LVK	SGVL
		No		SV	SGVL
		No	236	SV	SGVL
		Yes		SVK	SGVL
	1¼"	No	236	SV	SGVL
		Yes		SVK	SGVL
VB304X-0-1-10	1½"	Yes	26	LF	UGLK1002
		No	77	NM	UGLK1002
		Yes	153	AF	UGLK1004
		No		AM	UGLK1004
		No	38	LM	UGLK1002
		Yes	236	GK	UGLK1004
		No		GM	UGLK1004
VB304X-0-1-11	2"	Yes	14	LF	UGLK1002
		No	22	LM	UGLK1002
		No	40	NM	UGLK1002
		Yes	86	AF	UGLK1004
		No		AM	UGLK1004
		Yes	173	GK	UGLK1004
		No		GM	UGLK1004
		VB304X-0-1-4	½"	Yes	236
Yes	LF			UGLK1002	
No	LM			UGLK1002	
VB304X-0-1-7	¾"	Yes	110	LF	UGLK1002
		No	153	LM	UGLK1002
		No	236	NM	UGLK1002
		Yes	65	LF	UGLK1002
VB304X-0-1-8	1"	Yes	236	AF	UGLK1004
		No		AM	UGLK1004
		No	86	LM	UGLK1002
		No	173	NM	UGLK1002
		Yes	40	LF	UGLK1002
VB304X-0-1-9	1¼"	No	52	LM	UGLK1002
		No	110	NM	UGLK1002
		Yes	221	AF	UGLK1004
		No		AM	UGLK1004
		VB7XXX-0-4-(7, 8)	1"	Yes	236
VB7XXX-0-4-1	½"	Yes	236	LF	UGLK1150
VB7XXX-0-4-10	1½"	Yes	211	AF	UGLK1000
VB7XXX-0-4-11	2"	Yes	120	AF	UGLK1000
VB7XXX-0-4-2	½"	Yes	236	LF	UGLK1150
VB7XXX-0-4-3	½"	Yes	236	LF	UGLK1150
VB7XXX-0-4-4	½"	Yes	236	LF	UGLK1150
VB7XXX-0-4-5	¾"	Yes	211	LF	UGLK1150
VB7XXX-0-4-6	¾"	Yes	211	LF	UGLK1150
VB7XXX-0-4-7	1"	Yes	93	LF	UGLK1150

Tech.Doc - 07/14 - Subject to change. © Belimo Aircontrols (USA), Inc.

All close-off pressures listed are approximate and based on valve condition and application.



Valve Body Model	Size	Fail-Safe	Close-Off psi	Belimo Actuator Series	Belimo Linkage
VB7XXX-0-4-8	1"	Yes	93	LF	UGLK1150
VB7XXX-0-4-9	1¼"	Yes	65	LF	UGLK1150
		Yes	236	AF	UGLK1000
	1¼"	Yes	65	LF	UGLK1150
VB804X-0-1-10	1½"	Yes	26	LF	UGLK1002
		No	77	NM	UGLK1002
		Yes	153	AF	UGLK1004
		No		AM	UGLK1004
		No	38	LM	UGLK1002
		Yes	236	GK	UGLK1004
		No		GM	UGLK1004
VB804X-0-1-11	2"	Yes	14	LF	UGLK1002
		No	22	LM	UGLK1002
		No	40	NM	UGLK1002
		Yes	86	AF	UGLK1004
		No		AM	UGLK1004
		Yes	173	GK	UGLK1004
		No		GM	UGLK1004
VB804X-0-1-4	½"	Yes		AF	UGLK1004
		Yes	236	LF	UGLK1002
		No		LM	UGLK1002
VB804X-0-1-7	¾"	Yes	110	LF	UGLK1002
		No	153	LM	UGLK1002
		No	236	NM	UGLK1002
VB804X-0-1-8	1"	Yes	65	LF	UGLK1002
		Yes	236	AF	UGLK1004
		No		AM	UGLK1004
		No	86	LM	UGLK1002
		No	173	NM	UGLK1002
VB804X-0-1-9	1¼"	Yes	40	LF	UGLK1002
		No	52	LM	UGLK1002
		No	110	NM	UGLK1002
		Yes	221	AF	UGLK1004
		No		AM	UGLK1004
VB9XXX-0-4-(7, 8)	1"	Yes	236	AF	UGLK1000
VB9XXX-0-4-1	½"	Yes	236	LF	UGLK1150
VB9XXX-0-4-10 (Post '94)	1½"	Yes	211	2*AF	UGLK1066
		Yes		2*GK	UGLK1066
		No	236	2*GM	UGLK1066
		Yes	79	AF	UGLK1016
		Yes	160	GK	UGLK1016
		No		GM	UGLK1016
		Yes	110	AF	UGLK1008
VB9XXX-0-4-10 (Pre '94)	1½"	Yes	211	2*AF	UGLK1064
		Yes		GK	UGLK1008
		No		GM	UGLK1008
		Yes	236	2*GK	UGLK1064
		No		2*GM	UGLK1064
		Yes	40	AF	UGLK1016
		Yes	110	2*AF	UGLK1066
VB9XXX-0-4-11 (Post '94)	2"	Yes	211	2*GK	UGLK1066
		No		2*GM	UGLK1066
		Yes		GK	UGLK1016
		No	89	GM	UGLK1016
		Yes	52	AF	UGLK1008
		Yes		2*AF	UGLK1064
VB9XXX-0-4-11 (Pre '94)	2"	Yes	110	GK	UGLK1008
		No		GM	UGLK1008
		Yes	211	2*GK	UGLK1064
		No		2*GM	UGLK1064
		Yes	52	AF	UGLK1008
		Yes		2*AF	UGLK1064

All close-off pressures listed are approximate and based on valve condition and application.



Valve Body Model	Size	Fail-Safe	Close-Off psi	Belimo Actuator Series	Belimo Linkage
VB9XXX-0-4-12	2½"	Yes	38	AF	UGLK1010
		No		AM	UGLK1010
		Yes	136	2*GK	UGLK1070
		No		2*GM	UGLK1070
		Yes	75	2*AF	UGLK1070
		Yes		GK	UGLK1010
VB9XXX-0-4-13	3"	No	52	GM	UGLK1010
		Yes		2*AF	UGLK1070
		Yes	26	GK	UGLK1010
		No		AM	UGLK1010
		Yes	93	2*GK	UGLK1070
		No		2*GM	UGLK1070
VB9XXX-0-4-2	½"	Yes	236	LF	UGLK1150
VB9XXX-0-4-3	½"	Yes	236	LF	UGLK1150
VB9XXX-0-4-4	½"	Yes	236	LF	UGLK1150
VB9XXX-0-4-5	¾"	Yes	211	LF	UGLK1150
VB9XXX-0-4-6	¾"	Yes	211	LF	UGLK1150
VB9XXX-0-4-7	1"	Yes	93	LF	UGLK1150
VB9XXX-0-4-8	1"	Yes	93	LF	UGLK1150
VB9XXX-0-4-9	1¼"	Yes	65	LF	UGLK1150
		Yes	236	AF	UGLK1000
VB304X-0-2-12	2½"	Yes	38	AF	UGLK1006
		Yes		2*GK	UGLK1072
		No	136	2*GM	UGLK1072
		Yes		2*AF	UGLK1072
		No	45	EV	FGVL
		Yes	80	AVK	FGVL
No	90	RV	FGVL		
VB304X-0-2-13	3"	No	35	EV	FGVL
		Yes	60	AVK	FGVL
		No	70	RV	FGVL
		Yes	52	2*AF	UGLK1072
		Yes	26	AF	UGLK1006
		Yes	93	2*GK	UGLK1072
No	2*GM	UGLK1072			
VB304X-0-2-14	4"	Yes	14	AF	UGLK1006
		No	20	EV	FGVL
		Yes	30	AVK	FGVL
		No	35	RV	FGVL
		Yes	52	2*GK	UGLK1072
		No		2*GM	UGLK1072
VB304X-0-2-15	5"	Yes	26	2*AF	UGLK1072
		Yes	10	AF	UGLK1014
		Yes	14	2*AF	UGLK1076
		Yes	20	AVK	FGVL
		Yes	22	2*GK	UGLK1076
		No		2*GM	UGLK1076
VB304X-0-2-16	6"	No	15	EV	FGVL
		No	24	RV	FGVL
		Yes	10	2*AF	UGLK1076
		Yes		AF	UGLK1014
		Yes	22	2*GK	UGLK1076
		No		2*GM	UGLK1076
VB804X-0-2-12	2½"	No	15	RV	FGVL
		Yes	13	AVK	FGVL
		No	13	EV	FGVL
		Yes		40	EV
		Yes	85	AVK	FGVL
		Yes	38	AF	UGLK1006
VB804X-0-2-12	2½"	Yes	136	2*GK	UGLK1072
		No		2*GM	UGLK1072
		Yes	75	2*AF	UGLK1072
		No		90	RV

Tech.Doc - 07/14 - Subject to change. © Belimo Aircontrols (USA), Inc.

All close-off pressures listed are approximate and based on valve condition and application.



Valve Body Model	Size	Fail-Safe	Close-Off psi	Belimo Actuator Series	Belimo Linkage
VB804X-0-2-13	3"	No	30	EV	FGVL
		Yes	60	AVK	FGVL
VB804X-0-2-13	3"	No	65	RV	FGVL
		Yes	52	2*AF	UGLK1072
		Yes	26	AF	UGLK1006
		Yes	93	2*GK	UGLK1072
		No		2*GM	UGLK1072
VB804X-0-2-14	4"	Yes	14	AF	UGLK1006
		No	20	EV	FGVL
		Yes	30	AVK	FGVL
		Yes	52	2*GK	UGLK1072
		No		2*GM	UGLK1072
		Yes	26	2*AF	UGLK1072
		No	45	RV	FGVL
		VB804X-0-2-15	5"	Yes	10
Yes	14			2*AF	UGLK1076
Yes				GK	UGLK1014
No	20			RV	FGVL
Yes	22			2*GK	UGLK1076
No	15			EV	FGVL
VB804X-0-2-16	6"	Yes	10	2*AF	UGLK1076
		Yes		AF	UGLK1014
		Yes		GK	UGLK1014
		Yes	22	2*GK	UGLK1076
		No	13	EV	FGVL
		No	22	RV	FGVL
VB9XXX-0-5-12	2½"	Yes	38	AF	UGLK1010
		Yes	136	2*GK	UGLK1070
		Yes	75	2*AF	UGLK1070
		Yes	80	AVK	FGVL
		No		EV	FGVL
		No	150	RV	FGVL
		VB9XXX-0-5-13	3"	Yes	40
No	40			EV	FGVL
Yes	52			2*AF	UGLK1070
Yes	26			AF	UGLK1010
Yes	93			2*GK	UGLK1070
No	90			RV	FGVL
VB9XXX-0-5-14	4"			Yes	10
		Yes	22	2*AF	UGLK1074
		No	30	RV	FGVL
		Yes	40	2*GK	UGLK1074
		No		2*GM	UGLK1074
		No	15	EV	FGVL
		Yes	25	AVK	FGVL
VB9XXX-0-5-15	5"	No	20	RV	FGVL
		Yes	15	AVK	FGVL
	5"	No	20	RV	FGVL
VB9XXX-0-5-16	6"	Yes	15	AVK	FGVL
		No	15	RV	FGVL
Belimo USA G2 series	1"	Yes	250	AF	UGLK1000
	1¼"	Yes	250	AF	UGLK1000
	1½"	Yes	217	AF	UGLK1000
	2"	Yes	122	AF	UGLK1000
Belimo USA G3 series	1"	Yes	250	AF	UGLK1000
	1¼"	Yes	250	AF	UGLK1000
	1½"	Yes	217	AF	UGLK1000
	2"	Yes	122	AF	UGLK1000
Belimo USA G2 series	½"	Yes	250	LF	UGLK1150
	¾"	Yes	215	LF	UGLK1150
	1"	Yes	95	LF	UGLK1150
	1¼"	Yes	61	LF	UGLK1150
Belimo USA G3 series	½"	Yes	250	LF	UGLK1150
	¾"	Yes	215	LF	UGLK1150
	1"	Yes	95	LF	UGLK1150
	1¼"	Yes	61	LF	UGLK1150

All close-off pressures listed are approximate and based on valve condition and application.



Valve Body Model	Size	Fail-Safe	Close-Off psi	Belimo Actuator Series	Belimo Linkage	
Belimo USA G2 series	½"	Yes	250	LVK	SGVL	
		No		LV	SGVL	
	¾"	Yes	250	LVK	SGVL	
		No		LV	SGVL	
	1"	Yes	236	SVK	SGVL	
		No	250	SV	SGVL	
	1¼"	Yes	236	SVK	SGVL	
		No	235	SV	SGVL	
	1½"	No	160	SV	SGVL	
		Yes		SVK	SGVL	
	2"	Yes	85	SVK	SGVL	
		No	90	SV	SGVL	
Belimo USA G2...S series	½"	Yes	250	LVK	SGVL	
		No		LV	SGVL	
	¾"	Yes	250	LVK	SGVL	
		No		LV	SGVL	
	1"	Yes	236	SVK	SGVL	
		No	250	SV	SGVL	
	1¼"	Yes	236	SVK	SGVL	
		No	235	SV	SGVL	
	1½"	No	160	SV	SGVL	
		Yes		SVK	SGVL	
	2"	Yes	85	SVK	SGVL	
		No	90	SV	SGVL	
Belimo USA G3 series	½"	Yes	250	LVK	SGVL	
		No		LV	SGVL	
	¾"	Yes	250	LVK	SGVL	
		No		LV	SGVL	
	1"	Yes	236	SVK	SGVL	
		No	250	SV	SGVL	
	1¼"	Yes	236	SVK	SGVL	
		No	235	SV	SGVL	
	1½"	No	160	SV	SGVL	
		Yes		SVK	SGVL	
	2"	Yes	85	SVK	SGVL	
		No	90	SV	SGVL	
SIEMENS \ LANDIS \ POWERS						
591 Series	2½"	Yes	110	2*AF	UGLK1272	
		Yes		AVK	FGVL	
		No		EV	FGVL	
		Yes		2*GK	UGLK1270	
	3"	Yes	77	2*AF	UGLK1270	
		Yes		AVK	FGVL	
		Yes		2*GK	UGLK1270	
		No		RV	FGVL	
	4"	Yes	136	RV	FGVL	
		No		EV	FGVL	
		Yes		10	AF	UGLK1206
		Yes		22	2*AF	UGLK1274
	5"	Yes	22	GK	UGLK1206	
		No		30	EV	FGVL
		Yes		40	2*GK	UGLK1274
		No		RV	FGVL	
	6"	Yes	14	2*AF	UGLK1274	
		Yes		GK	UGLK1206	
		No		20	EV	UGLK1206
		Yes		22	2*GK	UGLK1274
	6"	No	25	RV	UGLK1274	
		Yes		10	2*AF	UGLK1274
		Yes		22	2*GK	UGLK1274
		No		22	RV	FGVL

Tech.Doc - 07/14 - Subject to change. © Belimo Aircontrols (USA), Inc.

All close-off pressures listed are approximate and based on valve condition and application.

UGLK Collars

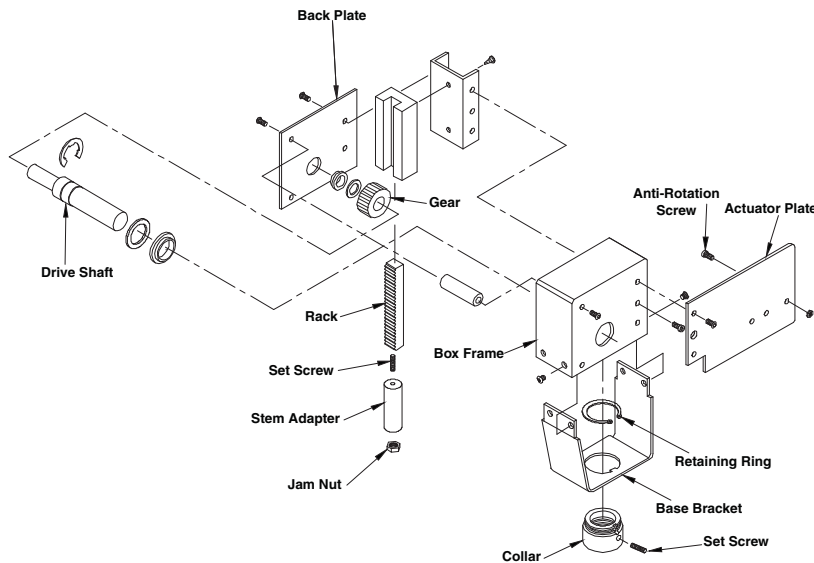
Part Number	Inside Diameter	Description	Most Commonly Used Valve Style				
			Style 1	Style 2	Style 3	Style 4	Style 5
UGLK-COL-1005	1.000"	3 setscrews, for frame type		•			
UGLK-COL-1063	1.063"	3 setscrews, for frame type		•			
UGLK-COL-1100	1.100"	3 setscrews, for frame type, counterbored top				•	
UGLK-COL-1255	1.250"	3 setscrews, for frame type		•			
UGLK-COL-1315	1.315"	3 setscrews, for frame type, can be used with VB7 with shim			•		
UGLK-COL-1375	1.375"	3 setscrews, for frame type		•			
UGLK-COL-BC10	1.250" - 16 Thd.	Fits Siebe VB7/VB9. Use on frame type only	•				
UGLK-COL-HY02	1.370"	1 setscrew, for frame type					•
UGLK-COL-LG02	1.740"	1 setscrew, for frame type			•		
UGLK-COL-LG04	1.740"	1 setscrew, for frame type			•		
UGLK-COL-JC05	1.070"	3 setscrews, for frame type		•			
UGLK-COL-JC06	1.562" - 14 Thd.	Threaded, brass		•			
UGLK-COL-JC08	0.760"	3 setscrews, for frame type, counterbored top				•	
UGLK-COL-JC15	1.070"	Ring, no setscrews		•			
UGLK-COL-0880	0.880"	3 setscrews, for frame type, counterbored top				•	
UGLK-COL-WNUT	1.375" - 20 Thd.	Replacement Warren nut. Will not go over damaged threads		•			
UGLK-COL-AD01	1.250" - 16 Thd.	Fits Siebe VB7/VB9. For VB7 frame only	•				
UGLK-COL-UNIV	Custom	3 setscrews, for frame type. Must be machined		•	•	•	•

* Must reuse clip and set screws.

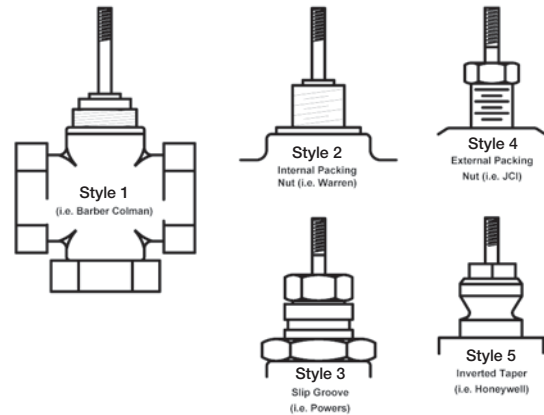
UGLK Stem Adapters

Part Number	Inside Diameter	Description	Most Commonly Used Valve Style				
			Style 1	Style 2	Style 3	Style 4	Style 5
UGLK-STM-1800	1/4" - 28 Stem Thd.	Stem adapter for 1/4" - 28 valve stems	•	•	•	•	•
UGLK-STM-1801	3/8" - 24 Stem Thd.	Stem adapter for 3/8" - 24 valve stems	•	•	•	•	•
UGLK-STM-1802	1/2" - 20 Stem Thd.	Stem adapter for 1/2" - 20 valve stems	•			•	•
UGLK-STM-1803	7/16" - 20 Stem Thd.	Stem adapter for 7/16" - 20 valve stems					•
UGLK-STM-1501	3/8" - 24 Stem Thd.	For Warren FLG valves with UGLK		•			
UGLK-STM-1805	3/8" OD Grooved	Landis 2.5-3" -599 Series			•		
UGLK-STM-2305	1/2" OD Grooved	Landis 4-6" -599 Series			•		
UGLK-STM-UNIV	Custom	Must be machined	•	•	•	•	•

UGLK Stem Adapters



UGLK Collars



Tech.Doc - 07/14 - Subject to change. © Belimo Aircontrols (USA), Inc.



WEATHER SHIELDS		NON-SPRING RETURN				SPRING RETURN			ELECTRONIC FAIL-SAFE				2* GM/GK
		LV	SV	EV	RV	LF	NF	AF	GK	LVK	SVK	AVK	
	ZS-SPGV-60 LF series on G2/G3 globe valve					•							
	ZS-SPGV-10 Dual AF series on flanged globe valve							•					
	ZS-SPGV-20 Single NF/AF series on G2/G3 (NF/AF) and flanged globe valve (AF)						•	•					
	ZS-SPGV-40 GK series on flanged globe valve								•				
	ZS-SPGV-50 GK series on flanged globe valve												•
	ZS-GV-001 Weather shield for LV/SV (cover only)	•	•							•	•		
	ZS-GV-002 Weather shield for EV/RV/AVK (cover only)			•	•							•	
AUXILIARY SWITCHES & POTENTIOMETERS													
	S1A Auxiliary switch - 1x SPDT, 3A (0.5A inductive) @ 250 VAC									•			•
	S2A Auxiliary switch - 2x SPDT, 3A (0.5A inductive) @ 250 VAC									•			•
	S2A-GV Auxiliary switch - 2x SPDT, 3A (0.5A inductive) @ 250 VAC	•	•	•	•					•	•	•	
	P140A GR Feedback potentiometer 140 Ω									•			•
	P500A GR Feedback potentiometer 500 Ω									•			•
	P1000A GR Feedback potentiometer 1000 Ω									•			•
	P2800A GR Feedback potentiometer 2800 Ω									•			•
	P5000A GR Feedback potentiometer 5000 Ω									•			•
	P10000A GR Feedback potentiometer 10000 Ω									•			•
BATTERY BACKUPS													
	NSV24 US Battery backup module	•	•	•	•								
	NSV-BAT 12VDC 1.2 AH battery (2 required)	•	•	•	•								

Note: Each NSV-24 US requires 2 NSV-BAT.

Tech.Doc - 07/14 - Subject to change. © Belimo Aircontrols (USA), Inc.